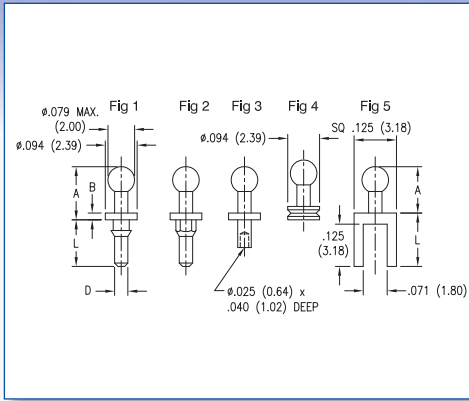


# CONNECTABALL - MALE



Dimensions in inches (mm)  
See page 94 for recommended Anvil and Punch

**How to order code**

**460 - 845X - XX - XX - 00**

Basic Part No. | Finish Fabrication (460-8452 only)

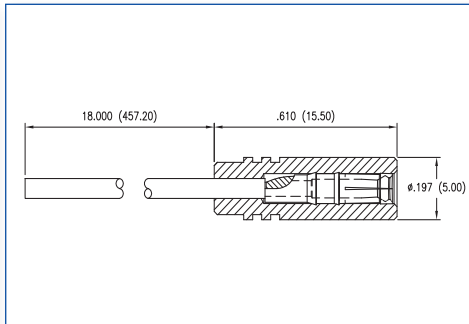
Material Code Table		
Component	Material	RoHS
Connectaball	Brass	✓

Finish Code Table		
Dash No.	Finish	RoHS
-01	Silver	✓
-03	Gold 50 $\mu$ "(1.25 $\mu$ m)	✓
-93	Gold 10 $\mu$ "(0.25 $\mu$ m)	✓
-04	Electro - Tin	✓

Fig.	Basic Part No.	L	Board Thickness	A	B	D	Mtg. Hole Diameter
1	460-8450-01	.138 (3.50)	-	.157 (4.00)	.020 (0.50)	.039 (1.00)	.051 (1.30)
2	460-8451-01	.138 (3.50)	-	.157 (4.00)	.020 (0.50)	.039 (1.00)	.051 (1.30)
3	460-8452-01	.051 (1.30)	.031 (0.79)	.157 (4.00)	.020 (0.50)	.039 (1.00)	.043 (1.09)
	-02*	.082 (2.08)	.062 (1.57)				
	-03	.113 (2.87)	.094 (2.39)				
4	460-8453-01	-	-	.177 (4.50)	.039 (1.00)	.094 (2.39)	-
5	460-8454-01	.157 (4.00)	-	.138 (3.50)	-	-	-

\*Preferred - others to order

# CONNECTABALL - FEMALE



Dimensions in inches (mm)

**How to order code**

**445 - 860X - 01 - XX - XX**

Basic Part No. | Colour | Finish

Material Code Table		
Component	Material	RoHS
Contact	Brass	✓
Insulator	PTFE	✓*
Wire	See Table	✓

Finish Code Table		
Dash No.	Finish	RoHS
-01	Silver	✓
-03	Gold (1.25 $\mu$ m 50 $\mu$ " )	✓
-93	Gold (0.25 $\mu$ m 10 $\mu$ " )	✓
-04	Electro - Tin	✓

Colour Code Table	
Dash No.	Colour
-10	Black
-12	Red*
-19	White

Basic Part No.	Wire Diameter	Wire Insulation	Max. Operating Current	Max. Contact Resistance	Connector Engaging Force (Max.)	Resistance to pull (Min.)
445-8600 -01	19 x 0.2mm	PTFE	3A	5 m $\Omega$	60N	4.9N
445-8601 -01	28 x 0.15mm	PVC	3A	5 m $\Omega$	60N	4.9N

\*Red PTFE is not RoHS compliant